

Accessories and spare parts

ACCESSORI E RICAMBI



Revolving Stands / Supporti Girevoli

ASG15R	mod. A - V - VG - OVP	Quick coupling, powder coated - Aggancio rapido, verniciato	2,5 kg
ALSG20R	mod. AL - VL - VGL - OSV	Quick coupling, powder coated - Aggancio rapido, verniciato	2,9 kg
VGMSG20R	mod. VGM	Quick coupling, powder coated - Aggancio rapido, verniciato	4,5 kg
OSVMSG30R	mod. OSVM	Quick coupling, powder coated - Aggancio rapido, verniciato	3,7 kg
AXSG15R	mod. AX - VX - VGX	Quick coupling, stainless steel - Aggancio rapido, inox AISI 304	2,5 kg
ALXSG20R	mod. ALX - VLX - VGLX	Quick coupling, stainless steel - Aggancio rapido, inox AISI 304	2,9 kg
ALTXSG20R	mod. VGLTX	Quick coupling, stainless steel - Aggancio rapido, inox AISI 316	2,9 kg
VGMXSG20R	mod. VGMX	Quick coupling, stainless steel - Aggancio rapido, inox AISI 304	4,5 kg
VGMTXSG20R	mod. VGMX	Quick coupling, stainless steel - Aggancio rapido, inox AISI 316	4,5 kg



MCSG10	mod. MC	Powder coated - Verniciato	1,1 kg
MCXSG10	mod. MCX	Stainless steel - Acciaio inox AISI 304	1,5 kg



BGS30	mod. BG	Quick coupling, powder coated - Aggancio rapido, verniciato	6,5 kg
BGDSG40	mod. BGD	Quick coupling, powder coated - Aggancio rapido, verniciato	10 kg
BGXSG30	mod. BGX	Quick coupling, stainless steel - Aggancio rapido, inox AISI 304	6,5 kg
BGDXSG40	mod. BGD	Quick coupling, stainless steel - Aggancio rapido, inox AISI 304	10 kg



Fixing brackets / Controstaffe di fissaggio

MCGS10	mod. MC	Fixing bracket - Controstaffa di fissaggio	1,8 kg
ACS15	mod. A - V - VG - OVP	Fixing bracket - Controstaffa di fissaggio	1,3 kg
ALCS20	mod. AL - VL - VGL - OSV	Fixing bracket - Controstaffa di fissaggio	1,6 kg
BGLCS50	mod. BGL - BGLD	Fixing bracket - Controstaffa di fissaggio	4,5 kg
BGLXCS50	mod. BGLX - BGLDX	Bracket fixing, stainless steel - Controstaffa di fissaggio, inox AISI 304	4,5 kg



Fixing panels / Pannelli di fissaggio

PFA02	mod. MC - A - AL - V - VL - VGL	Fixing panel 2 hose reels - Pannello fissaggio 2 avvolgitubo	5,5 kg
PFA03	mod. MC - A - AL - V - VL - VGL	Fixing panel 3 hose reels - Pannello fissaggio 3 avvolgitubo	8 kg
PFA04	mod. MC - A - AL - V - VL - VGL	Fixing panel 4 hose reels - Pannello fissaggio 4 avvolgitubo	10,5 kg



Anti-derailment brackets / Staffe antiscarruolamento

VGSA20	mod. V - VG - OVP	Anti-derailment bracket - Staffa antiscarruolamento	0,6 kg
VGLSA25	mod. VL - VGL - OSV	Anti-derailment bracket - Staffa antiscarruolamento	0,6 kg



Covers / Carters

VCAR	mod. V-VL-VX-VLX-VGX-VGLX-VGMX	Lateral protective covers for hose reels with hose 1/4"-3/8"-1/2" - Carter laterali di protezione per avvolgitubo con tubo 1/4"-3/8"-1/2"	1 kg
VGCAR	mod. VGX-VGLX-VGMX	Lateral protective covers for hose reels with hose 3/4"-1" - Carter laterali di protezione per avvolgitubo con tubo 3/4"-1"	1 kg

Swivel joints/Giunti girevoli

for all models - per tutti i modelli



Zinc-plated steel - Acciaio zincato:

0065A	60 bar	F.3/8" Bsp	PU	Air, water, oil - Aria, acqua, olio	0,21 kg
0065D	60 bar	M.1/2" Bsp	PU	Air, water, oil - Aria, acqua, olio	0,23 kg
0238PU	150 bar	M.1/2" Bsp	PU	Oil-Olio	0,27 kg
0066A	400 bar	F.1/4" Bsp	NBR-PTFE	Grease - Grasso	0,27 kg
0066A1	400 bar	F.3/8" Bsp	NBR-PTFE	Grease - Grasso	0,27 kg
0066B	400 bar	F.3/8" Bsp	SIL-PTFE	Water 150°C - Acqua 150°C	0,27 kg
0066C	400bar	F.3/8" Bsp	VITON-PTFE	Paint - Vernice	0,27 kg



Stainless steel AISI 303 - Acciaio inox AISI 303:

0065AVAX	60 bar	F.3/8" Bsp	VITON	Water 100°C - Acqua 100°C	0,23 kg
0065VAX	60 bar	M.1/2" Bsp	VITON	Water 100°C - Acqua 100°C	0,23 kg
0065EX	60 bar	M.1/2" Bsp	EPDM	Antifreeze, windshield liquid Antigelo, liquido lavavetri	0,23 kg
0066BX	400 bar	F.3/8" Bsp	SIL-PTFE	Water 150°C - Acqua 150°C	0,27 kg
0066CX	400 bar	F.3/8" Bsp	VITON-PTFE	Water 150°C - Acqua 150°C	0,27 kg
0238VAX	60 bar	M.1/2" Bsp	VITON	Water 100°C - Acqua 100°C	0,27 kg
0238X	400 bar	M.1/2" Bsp	SIL-PTFE	Water 150°C - Acqua 150°C	0,27 kg
0238XV	400 bar	M.1/2" Bsp	VITON-PTFE	Water 150°C - Acqua 150°C	0,27 kg
0238TX (AISI 316)	400 bar	M.1/2" Bsp	VITON-PTFE	Water 150°C - Acqua 150°C	0,27 kg



for mod: VG - VGL - BGL - BGLD - VGX - VGLX - BGL - BGLX

Brass - Ottone:

0636G	20 bar	F.1" Bsp	NBR	Diesel fuel - Gasolio	0,43 kg
0636GC	20 bar	F.1" Bsp	NBR	Air, Water 100°C - Aria, Acqua 100°C	0,43 kg

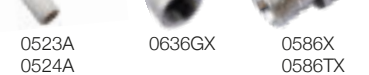


Zinc-plated steel - Acciaio zincato:

0586	60 bar	M.1" Bsp	PU	Oil, Water - Olio, Acqua	0,52 kg
-------------	--------	----------	----	--------------------------	---------

Composite - Composito:

0523A	20 bar	Ø 19	NBR	Urea, Water 50°C - Urea, Acqua 50°C	0,15 kg
0524A	20 bar	Ø 25	NBR	Water 50°C - Acqua 50°C	0,15 kg



Stainless steel AISI 303 - Acciaio inox AISI 303

0636GX	20 bar	F.1" Bsp	VITON	Water 100°C - Acqua 100°C	0,43 kg
0586X	60bar	M.1" Bsp	VITON-PTFE	Water 150°C - Acqua 150°C	0,52 kg
0586TX (AISI 316)	60bar	M.1" Bsp	VITON-PTFE	Water 150°C - Acqua 150°C	0,52 kg



for BG BGX models - per modelli BG BGX

Stainless steel AISI 303 - Acciaio inox AISI 303

BG0238CPL	400 bar	M.F.1/2" Bsp	SIL-PTFE	Water 150°C - Acqua 150°C	0,68 kg
BG0293P	60 bar	M.1"- F.3/4" Bsp	PU	Air, water, oil - Aria, acqua, olio	1,35 kg
BG0293SX	60 bar	M.1"- F.3/4" Bsp	SIL-PTFE	Water 150°C - Acqua 150°C	1,35 kg
BG0293VAX	40 bar	M.1"-F.3/4" Bsp	VITON	Water 150°C - Acqua 150°C	1,35 kg



Swivel joints adapters/Adattatori per giunti girevoli

Zinc-plated steel - Acciaio zincato:

0187M38	400 bar	M.3/8" Bsp	Air, Water, Oil, Grease - Aria, Acqua, Olio, Grasso	0,11 kg
0187F38	400 bar	F.3/8" Bsp	Air, Water, Oil, Grease - Aria, Acqua, Olio, Grasso	0,12 kg
0187F12	400 bar	F.1/2" Bsp	Air, Water, Oil, Grease - Aria, Acqua, Olio, Grasso	0,13 kg

Stainless steel AISI 303 - Acciaio inox AISI 303:

0187F12X	400 bar	F.1/2" Bsp	Water 150°C - Acqua 150°C	0,13 kg
-----------------	---------	------------	---------------------------	---------

Showers, Spray Guns, Nozzles / Doccette, Pistole



DC38S For water / Per acqua Shower with support - Doccetta con supporto
60°C max. - 10 l/min - 5 bar - F.3/8" bsp 0,3 kg



DC38PRS For water / Per acqua Chrome-plated brass shower with support
Doccetta in ottone cromato con supporto
70°C max. - 11 l/min - 7 bar - F.3/8" bsp 0,7 kg



P12ARNF For water / Per acqua Plastic spray gun with quick coupling. Pencil or cone jet adjusting
Pistola in plastica con innesto rapido. Getto a spillo o a cono regolabile
60°C max. - 10 l/min - 4 bar - F.1/2" bsp 0,4 kg



P12A70 For water / Per acqua Brass spray gun with rubber protection. Pencil or cone jet
Pistola in ottone con protezione in gomma. Getto a spillo o a cono
90°C max. - 20 l/min - 25 bar - F.1/2" bsp 0,6 kg



P12A80 For water / Per acqua Shockproof plastic spray gun with pencil or cone jet
Pistola in plastica antiurto con getto a spillo o a cono
80°C max. - 50 l/min - 12 bar - F.1/2" bsp 0,5 kg



P12A95 For water / Per acqua Chrome-plated brass spray gun with pencil or cone jet adjusting
Pistola in ottone cromato con getto a spillo o a cono regolabile
90°C max. - 100 l/min - 24 bar - F.1/2" bsp 1,1 kg



P38AV For water, antifreeze, windshield liquid / Per acqua, antigelo, lavavetri
Nickel-plated brass gun
Pistola in ottone nichelato
30 l/min (4 bar) - 30 bar - F.3/8" bsp - ø 12 mm 0,3 kg



PGM80S	For Diesel Fuel Per gasolio	Manual nozzle with 1" swivel Pistola manuale con snodo 1" 80 l/min - 6 bar - F.1" bsp - ø 25 mm	0,6 kg
---------------	--------------------------------	---	--------



PGA60S	For Diesel Fuel Per gasolio	Automatic nozzle with 1" swivel Pistola automatica con snodo 1" 60 l/min - 8 bar - F.1" bsp - ø 24 mm	1,3 kg
---------------	--------------------------------	---	--------



PGA120S	For Diesel Fuel Per gasolio	Automatic nozzle with 1" swivel Pistola automatica con snodo 1" 120 l/min - 8 bar - F.1" bsp - ø 29 mm	1,3 kg
----------------	--------------------------------	--	--------



PPM90ADB	For Urea Per Urea	Manual plastic nozzle with ø 19 mm swivel Pistola manuale con snodo ø 19 mm 90 l/min - 6 bar - ø 19 mm swivel - ø 19 mm	0,3 kg
-----------------	----------------------	---	--------



PAX70ADB	For Urea Per Urea	Stainless steel automatic nozzle with ø 19 mm swivel Pistola automatica in acciaio inox con snodo ø 19 mm 70 l/min - 8 bar - ø 19 mm swivel - ø 19 mm	2,6 kg
-----------------	----------------------	---	--------

Hose stoppers/Tamponi di fine corsa



- 0342
- 0127
- 0022A
- 0022B
- 0022C
- 0022C1
- 0022E
- 0022F
- 0022G

0342	for hose - per tubo	Ext. ø 11 mm	0,07 kg
0127	for hose - per tubo	Ext. ø 12 mm	0,06 kg
0022A	for hose - per tubo	Ext. ø 14 mm (1/4")	0,07 kg
0022B	for hose - per tubo	Ext. ø 17 mm (3/8")	0,07 kg
0022C	for hose - per tubo	Ext. ø 20 mm (1/2")	0,06 kg
0022C1	for hose - per tubo	Ext. ø 20 mm (1/2")	0,09 kg
0022E	for hose - per tubo	Ext. ø 23 mm (5/8")	0,09 kg
0022F	for hose - per tubo	Ext. ø 27 mm (3/4")	0,09 kg
0022G	for hose - per tubo	Ext. ø 33 mm (1")	0,09 kg

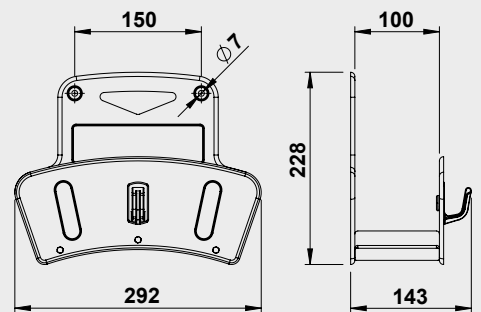
Wall hose support / Supporto murale per tubo



STM10
POWDER COATED RAL 7040



STMX10
STAINLESS STEEL AISI 304



Connection Hoses/*Tubi di collegamento*

Code Codice	Fluid Fluido	Pressure Pressione	Hose Tubo	Diameter Diametro	Bsp thread Filett. Gas	Type Tipo	Length (m) Lungh. (m)	Hose reel Avvolgitubo	Weight (kg) Peso (kg)
0161	Air/Aria	20 bar	Polyurethane	8 x 12	3/8"	M + L	1	MNR - MDR	0,10
0305	Air/Aria	20 bar	Polyurethane	10 x 14	3/8"	M + L	1	MDR	0,10
TC08005PU	Air/Aria	20 bar	Polyurethane	8 x 12	3/8"	M + F	0,5	MC - A - AL - V - VL	0,17
TC10005PU	Air/Aria	20 bar	Polyurethane	10 x 14	3/8"	M + F	0,5	MC - A - AL - V - VL	0,20
TC13005PU	Air/Aria	20 bar	Polyurethane	13 x 18	1/2"	F + F	0,5	MC - A - AL - V - VL	0,35
TC13005LPU	Air/Aria - Water-detergents Acqua-detergente 70°C	20 bar	Polyurethane	13 x 18	1/2"	F + F	0,5	MGRX	0,35
TC10005SG	Air/Aria - Water/Acqua	18 bar	Thermoplastic	10x15	3/8"	M + F	0,5	V	0,20
TC13005SG	Air/Aria - Water/Acqua	18 bar	Thermoplastic	13x18	1/2"	F + F	0,5	V - VL	0,35
TC08005	Air/Aria - Water/Acqua	18 bar	Rubber	8 x 14	3/8"	M + F	0,5	MC - A - AL - V - VL	0,20
TC10005	Air/Aria - Water/Acqua	18 bar	Rubber	10 x 17	3/8"	M + F	0,5	MC - A - AL - V - VL	0,22
TC13005	Air/Aria - Water/Acqua	18 bar	Rubber	13 x 20	1/2"	F + F	0,5	MC - A - AL - V - VL	0,36
TC16005	Air/Aria - Water/Acqua	18 bar	Rubber	16 x 23	1/2"	F + F	0,5	MC - A - AL - V - VL	0,38
T1301L	Air/Aria - Water/Acqua	18 bar	Rubber	13 x 20	1/2"	F + L	1	VGL	0,32
T1601L	Air/Aria - Water/Acqua	18 bar	Rubber	16 x 23	1/2"	F + L	1	VGL	0,40
T1901L	Air/Aria - Water/Acqua	18 bar	Rubber	19 x 27	1"	M + L	1	VG - VGL - VGM	0,54
T2501L	Air/Aria - Water/Acqua	18 bar	Rubber	25 x 34	1"	M + L	1	VGL - VGM	0,70
TC13005MXE	Antifreeze/Antigelo Windshield fluid/Lavavetri	18 bar	Rubber	13 x 20	1/2"	F + F	0,5	MC - V - VL	0,36
T1901GL	Diesel fuel/Gasolio	10 bar	Rubber	19 x 27	1"	M + L	1	VG - VGL - VGM(X)	0,54
T2501GL	Diesel fuel/Gasolio	10 bar	Rubber	25 x 35	1"	M + L	1	VGL - VGM(X)	0,70
T3401A	Waste oil/olio esausto	Suction	PVC/PU Spiral	19 x 27	1" - 3/4"	M + F	1	VGL	0,70
T0101A	Waste oil/olio esausto	Suction	PVC/PU Spiral	25 x 35	1"	M + F	1	VGL	0,90
TC38005	Oil/Olio	60 bar	Rubber 1SC	3/8"	3/8"	M + F	0,5	MC - A - AL - V - VL	0,35
TC12005	Oil/Olio	60 bar	Rubber 1SC	1/2"	1/2"	F + F	0,5	MC - A - AL - V - VL	0,48
TC1201	Oil/Olio	60 bar	Rubber 1SC	1/2"	1/2"	F + F	1	VGL	0,65
TCN3401	Oil/Olio	60 bar	Rubber 1SC	3/4"	1" - 3/4"	F90 + F	1	VGL	1,10
TCN0101	Oil/Olio	60 bar	Rubber 1SC	1"	1"	F90 + F	1	VGL	1,60
TC14005	Grease/Grasso	400 bar	Rubber 2SN	1/4"	1/4"	M + F	0,5	MC - A - AL - V - VL	0,30
TC38005G	Grease/Grasso	400 bar	Rubber 2SC	3/8"	3/8"	M + F	0,5	AL - VL	0,45
TC13005K	Water/Acqua 70°C	10 bar	Thermoplastic Blue	13 x 21	1/2"	F + F	0,5	MCX - AX - ALX - VX - VLX	0,36
TC16005K	Water/Acqua 70°C	10 bar	Thermoplastic Blue	16 x 24	1/2"	F + F	0,5	MCX - AX - ALX - VX - VLX	0,38
T1601KL	Water/Acqua 70°C	10 bar	Thermoplastic Blue	16 x 24	1/2"	F + L	1	VGL(X)	0,40
T1901KL	Water/Acqua 70°C	10 bar	Thermoplastic Blue	19 x 27	1"	M + L	1	VG - VGL - VGM(X)	0,54
T2501KL	Water/Acqua 70°C	10 bar	Thermoplastic Blue	25 x 35	1"	M + L	1	VGL(X) - VGM(X)	0,70
TC1301KH	Water/Acqua 70°C	10 bar	Thermoplastic Blue	13 x 20	1/2"	F + F	1	ALX - VLX - VGLX	0,46
TFN1901KH	Water/Acqua 70°C	10 bar	Thermoplastic Blue	19 x 28	1" - 3/4"	F90 + F	1	VGMX	1,10
TC1301KR	Water/Acqua 90°C	10 bar	Rubber Blue	13 x 21	1/2"	F + F	1	ALX - VLX - VGLX	0,46
T1901KR	Water/Acqua 90°C	10 bar	Rubber Blue	19 x 28	1" - 3/4"	M + F	1	VGMX	0,65
TC38005H	Water/Acqua 150°C	400 bar	Rubber 2SC	3/8"	3/8"	M + F	0,5	MC(X) - A/AL(X) - V/VL(X)	0,43
TC3801H	Water/Acqua 150°C	400 bar	Rubber 2SC	3/8"	3/8"	M + F	1	VGL(X)	0,65
T3801HX	Water/Acqua 150°C	400 bar	Rubber 2SC	3/8"	3/8"	M + F	1	AX-ALX-VX-VLX-VGLX-VGMX	0,65
TC0901VPL	Propane/Propano Methane/Metano	20 bar	Rubber ISO3821 (EN559)	9 x 17	3/8" SX	M + L	1	OVP	0,30

